

MHF 4 Plug Cable Assembly

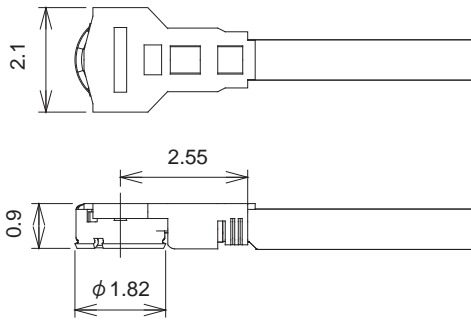
Applicable Cable for **O.D.0.81mm** Cable

【Part Number】

Ground Contact : **Au** Plating

20448 - 001 R -081

Packing : Reel
1 reel : 2,000pcs



【Applicable Cable Size】

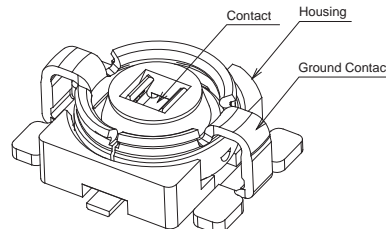
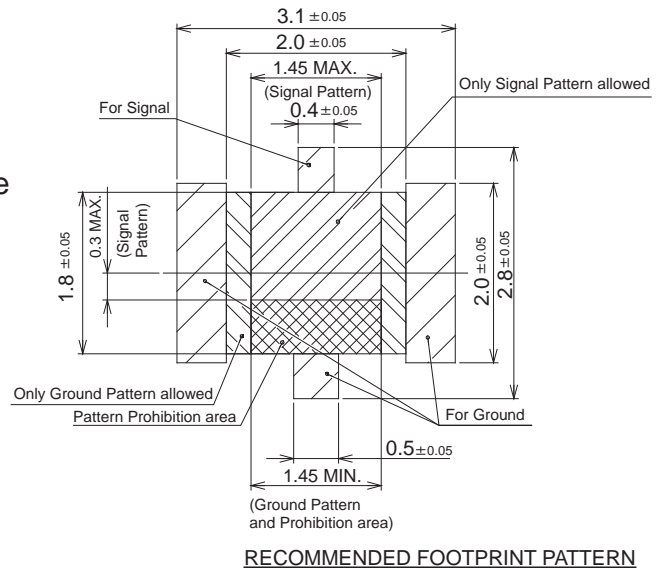
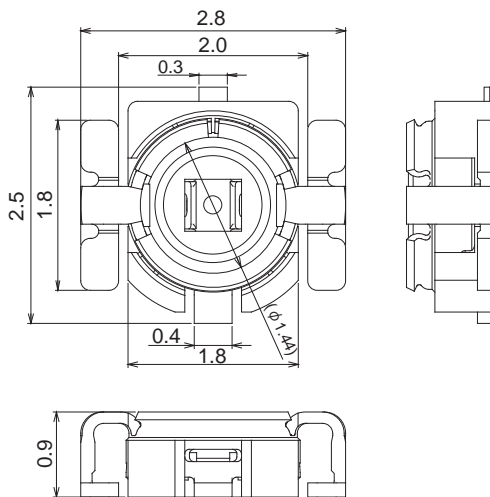
Part No. (Au)	20448-001R-081
Part No. (Ag)	-
for AWG#36	
Braided Shield of Outer Conductor	Single Braided Shield

MHF 4 SMT Plug

【Part Number】

Ground Contact : **Au** Plating

20462 - 001 E ※ Packing : Emboss Tape
1 reel : 5,000pcs



【Material and Finish】

Parts	Material (Plug)	Material (SMT Plug)	Plating / Color
HOUSING	PBT UL94V-0	LCP UL94V-0	BLACK
CONTACT	COPPER ALLOY	COPPER ALLOY	Au
GROUND CONTACT	COPPER ALLOY	COPPER ALLOY	Au

MHF 4 Receptacle

Mating Height : **1.2mm MAX**

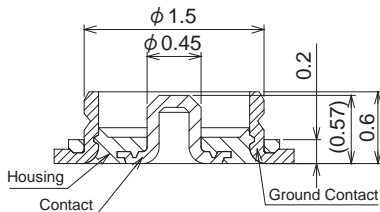
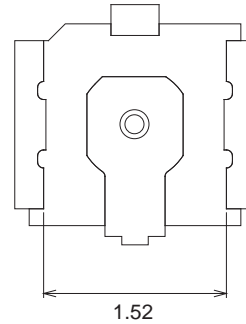
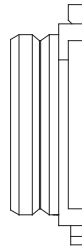
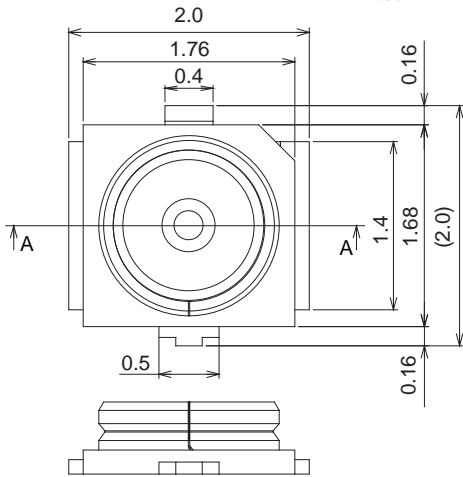
[Part Number]

Ground Contact : **Au** Plating

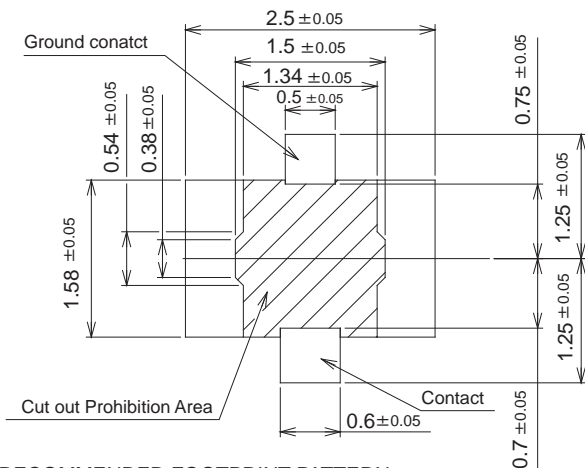
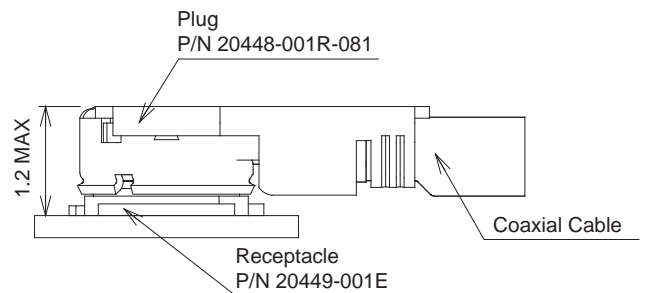
20449-001 E

※

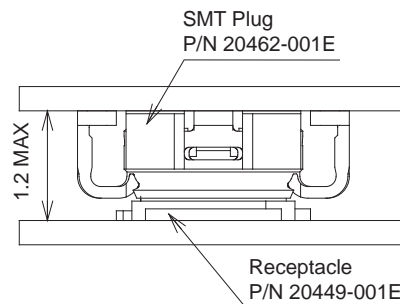
※ Packing : Emboss Tape
1 reel : 5,000pcs



Sect. A-A



RECOMMENDED FOOTPRINT PATTERN



MATED VIEW

[Material and Finish]

Parts	Material	Plating / Color
HOUSING	LCP UL94V-0	BLACK
CONTACT	COPPER ALLOY	Au
GROUND CONTACT	COPPER ALLOY	Au